



## **HYDRAULIC JACKS, DNN-1 AND DNT-1 SERIES**

Hydraulic jacks, DNN-1 and DNT-1 series, are designed for stressing tendons made of 1x7 strands and used for construction of prestressed reinforced concrete structures, as well as for vertical and horizontal shifting of structures.

# HYDRAULIC JACKS, DNN-1 AND DNT-1 SERIES

## Features:

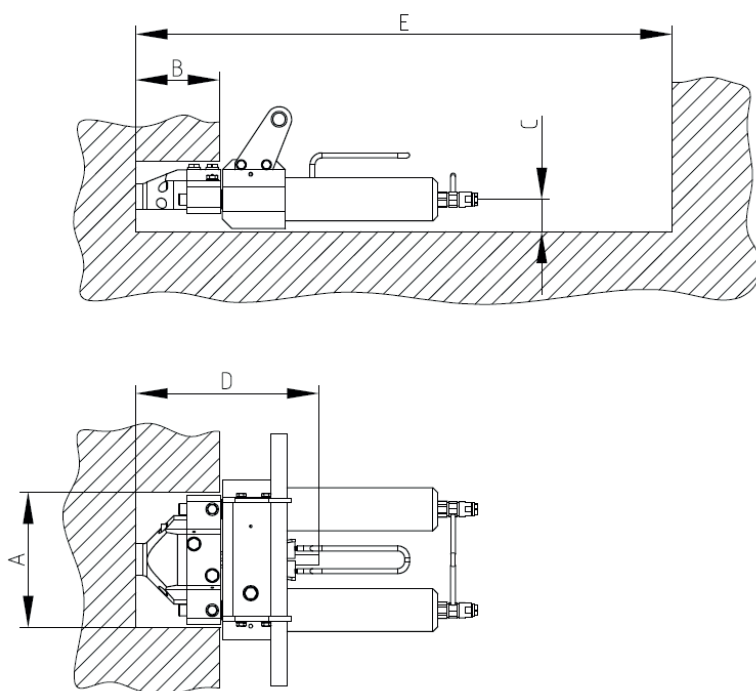
Non-conventional design and compact dimensions of single-strand flat jack, DNN-1 series, make it possible to significantly reduce tendon bar length and stress the strands with a force of up to 15-23 tf in confined spaces.

Single-strand flat, DNT-1 series, was specifically designed for stressing of transient strands in prestressed reinforced concrete floor slabs with a force of up to 15-23 tf. Due to its unique gripper design, it can be put on the strand from the top, while in case of other jacks a strand can only be inserted through them.

Jacks of DNN-1 and DNT-1 series have a wedging system that ensures reliable wedge fixation in tapered anchor head holes.

## Applications:

- Buildings



**Figure 1.**  
Jack's dimensions

Jack type		DNT-1	DNN-1
No. of strands, pcs.:		1	1
Jack piston stroke, mm:		250	200
Wedging force, tf:		до 22,3	до 22,2
Weight, kg:		35,4	19
Minimum space for jack operation	A	215	180
	B	130	103
	C	50	37
	D	290	135
	E	850	642

STS Ltd.

Moscow, Russia, Kirpichnye Vyemki str., Bld. 2, Unit 1

[www.sts-hydro.com](http://www.sts-hydro.com)

+7 (495) 374-67-09

[info@sts-hydro.com](mailto:info@sts-hydro.com)

**Important!**



Technical parameters are subject to change. Actual information on the website of the company or at the link via QR-code.